

How to automate the tax data into your country-by-country reporting?

Keval Hutheesing, Cygnet Infotech

Steeff Huibregtse, TPA Global

Maria Grigoryeva, TPA Global

Wednesday 24th February 2021



Where are you now? Where are you going?

Tax Technology Journey

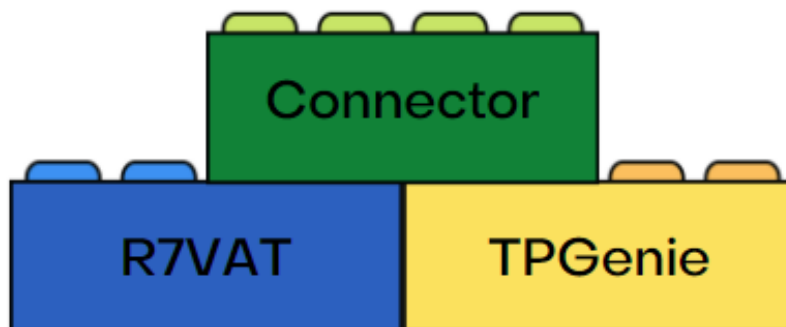
By inspiring people, structuring your tax workflows and subsequently selecting the appropriate technology, TPA through this journey with 'clickable topics' challenges you.

- 1 FOLLOW A UX DAY FOR TAX PROFESSIONALS**
In the future our daily tasks as a tax professional will be to
 1. assess data
 2. feed data into software, and
 3. get fit for purposes output.
- 2 VISIT TAX TECHNOLOGY PLAYBOOKS**
Through the playbooks, we:
 1. address the 'why on tax + technology' to develop your own tax technology roadmap or
 2. how to drive efficiencies by embracing an automated compliance factory, or to
 3. replace the tax risk management by tax data analytics.
- 3 PERFORM DATA ANALYTICS**
The concept of 'tax data architecture', 'tax data management' and 'tax data analytics' are being captured in a series of 11 taped soundbites.
- 4 USE BUILDING BLOCKS FOR TAX**
Now you know why, what and how the tax landscape starts changing your own roles. TPA is providing you with a webinar series on 'building blocks for tax software', where each webinar connects one software type with another type through the use of connectors or so-called APIs.
- 5 READ ABOUT THE FUTURE OF TAX IN 2025**
All of the above leads to a total score of being able to deliver 'turnkey projects on tax technology'. Such BPOs on tax will become the new 'tax engine' of most companies dealing with international tax and its digital complexities imposed by tax authorities.
- 6 CHECK ON YOUR MAIN TAX TECHNOLOGY CHALLENGES**
After your journey, what would be your own top 25 challenges for your in-house tax workflows. Use this checklist.

Transforming the World of Tax www.tpa-global.com

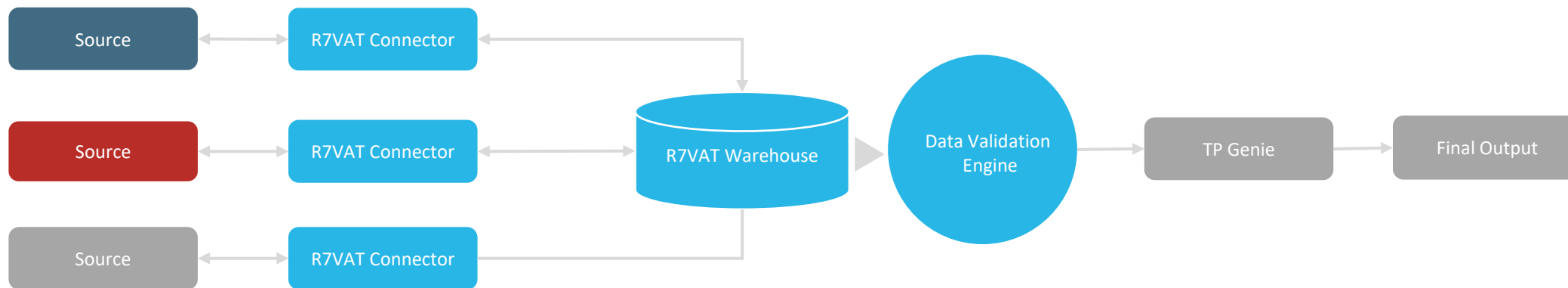
Today

1. The first 'building block' will be the **R7VAT** tool by Cygnet, which extracts the tax relevant data pool for CbCr, VAT and your intercompany transactional matrix etc. This way you need to only extract data once, instead of organizing data extraction for each tax workflow separately.
2. Through R7VAT and a connector with another piece of software for transfer pricing, named **TP Genie**, the first excel spreadsheet - out of 3 - of the CbCr is being completed, bringing more benefits on top of this.



R7VAT Connectors for Data Extraction

- R7VAT Connectors extract data from each source.
- Internal data sources such as ERPs and Payroll Engines provide data for Table 1.
- External data sources such as Company Registers provide data for Table 2.
- Data warehouse approach uses an adaptive data store to aggregate the entire data load.
- The warehouse is flexible and loosely structured to allow for easy changes.
- Parallel processing enables easy consolidation and aggregation of large data volumes.
- Shared completeness and validation engine prevents duplication of development efforts.
- Big data technology is generally used to build the central data warehouse.
- This approach is optimal for consolidation and reporting end uses.

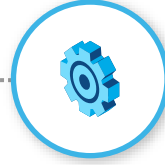


R7VAT

R7VAT is an end to end automated solution for the management of compliance reporting for MNEs. It helps in preparation and filing of tax returns as per country specific tax regulations.



Robotic processing for data retrieval from source data systems using pre-built or custom-built connectors. Supports data extraction from multiple ERP systems such as SAP, Oracle, flat files, csv and data warehouses



Remodeling of data for reporting compliant formats using rule-based data processing and conversion



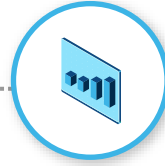
Validation of data as per EU and country regulation, error discovery and checker system



Various data reconciliations to assist tax professionals to correct and update the data before filing



Preparation and filing of the tax/returns and generation of evidence trail for reporting



Dashboards, reports, analytics, audit trail and records archival and maintenance



View present and past obligations, liabilities and payment details

Automated Data Sources for CbCr

Table 1

Field	Source	Internal/External
Revenue Unrelated Party	ERP	Internal
Revenue Related Party	ERP	Internal
Revenue Total	ERP	Internal
Profit (Loss) Before Income Tax	ERP	Internal
Income Tax Paid (on cash basis)	ERP, Tax Engine, Tax Authority Portal	Internal, Internal, External
Income Tax Accrued FY	ERP, Tax Engine	Internal, Internal
Stated Capital	ERP, Company Register	Internal, External
Accumulated Earnings	ERP	Internal
Number of Employees	Payroll System	Internal
Tangible Assets (other than Cash and Cash Equivalents)	ERP	Internal

Poll: How many IT systems are used to source data for CbCr reporting?

- None
- 1-3
- 4-6
- 7+

Poll: How many tables are pre-filled using internal and external data sources?

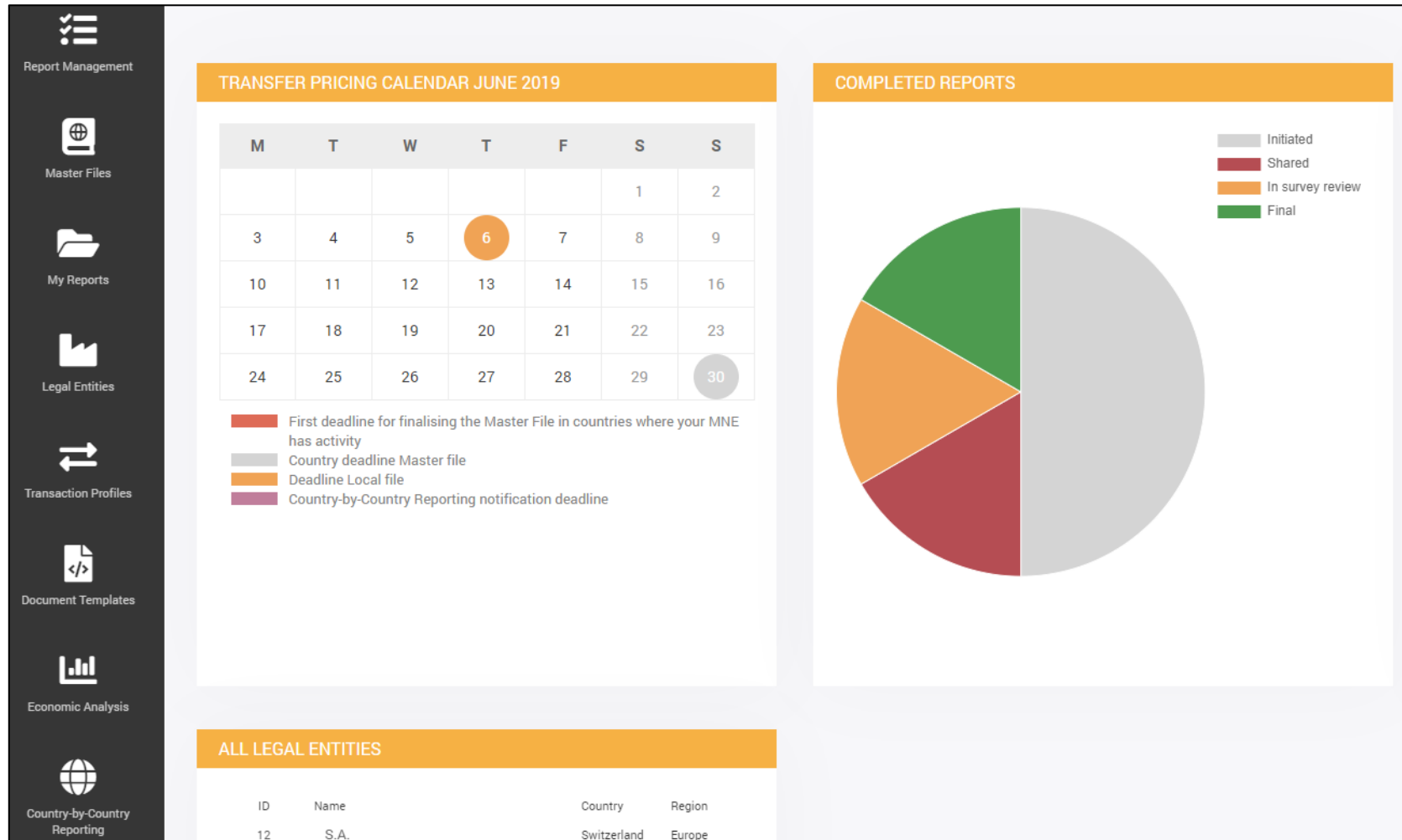
- None
- 1
- 2
- 3

Demo R7VAT using actual but anonymized data

Poll: How do you convert your CbC to XML now?

- By external consultant
- Through external IT solution
- Through In-house IT solution

TP Genie



- TPGenie helps you to efficiently create, update and manage your transfer pricing documentation:
 - Master file
 - Local files
 - Intercompany Agreements
 - Benchmarks
 - Country-by-Country Reporting
- TPGenie assists you with TP planning, risk management and control.

Demo TP genie using actual but anonymized data

Poll: How do you perform CbC ratio analysis?

- Through external IT solution
- Through In-house IT solution
- Through Excel file
- I do not perform this analysis

Key takeaways

- Extensive automation can be applied to country by country reporting.
- CBCR data can be collected from your existing financial reporting systems.
- How do you ensure the quality of country by country data?
- How do you ensure compliance with the country or with the local XML format?

***Thank you! Please contact Krithika Sivakumar , head of Tax
Technology at TPA Global, if you want to have a personal discussion
about your digital transformation Roadmap or anything else related!
K.Sivakumar@tpa-global.com***

Our global network covers over 5,000 professionals who enable us to deliver scalable solutions in the area of tax & legal, digital transformation, running a compliance factory and effectively dealing with dispute resolution.

To ensure the highest quality and seamless service provision, thereby meeting international standards and regulations, a global team of dedicated professionals and specialists is a key and determining factor.

Through linking three ecosystems: Tax, Transfer Pricing and Valuation, Tax + Technology and Tax Litigation and Mediation – we deliver a world of tax in control.

H.J.E. Wenckebachweg 210 . 1096 AS Amsterdam . The Netherlands . +31 (0)20
462 3530 . tpa-global.com

The views expressed and the information provided in this material are of general nature and is not intended to address the circumstances of any particular individual or entity. The above content should neither be regarded as comprehensive nor sufficient for making decisions. No one should act on the information or views provided in this publication without appropriate professional advise. It should be noted that no assurance is given for any loss arising from any actions taken or to be taken or not taken by anyone based on this publication.

© 2020 V. All Rights Reserved.

TP Genie CbC tool



- Information on Tables 1, 2 and 3 can be imported in the form Excel format;
- System performs a check of information according to OECD (or country specific) CbCr XML template;
- System performs an outlier analysis on various ratios. By having the analysis available before sending potential risks can be identified and additional explanation in Table 3 or risks reduction and control measures can be taken.

About Cygnet



Founded in 2000, currently with offices across 6 continents



900+ Employees
Delivered 2000+ Projects

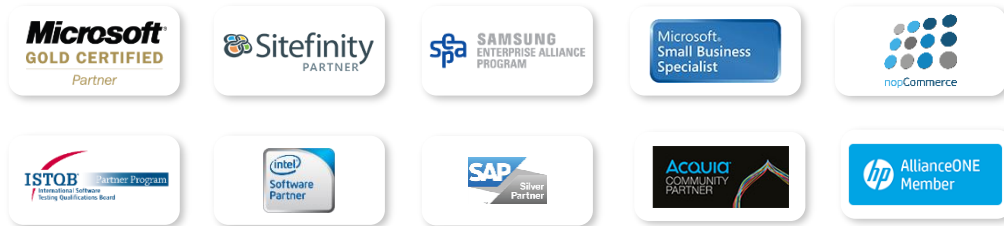


18 Years of Experience Serving 750+ clients in 35 countries



95% Client Retention

TECHNOLOGY PARTNERS



QUALITY AND COMPLIANCES



R7VAT IS APPROVED BY THE FOLLOWING GOVERNMENT BODIES

GSTN (India), FTA (UAE) and HMRC (UK)

